

genie

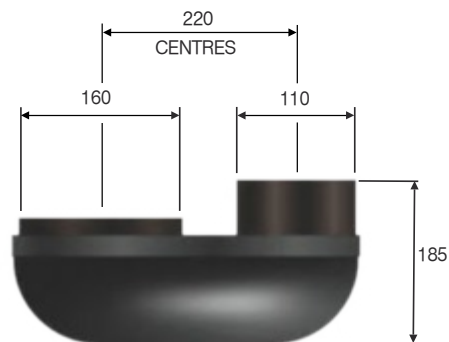
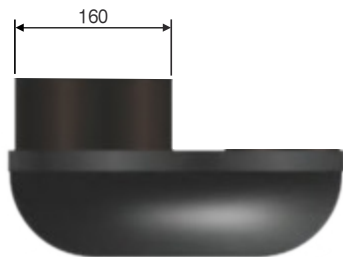
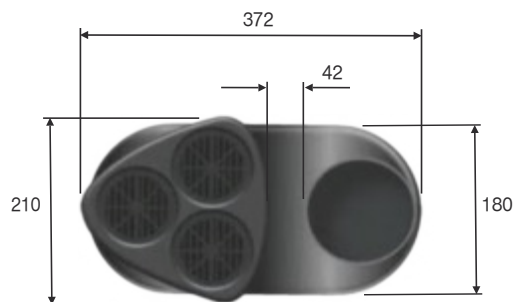
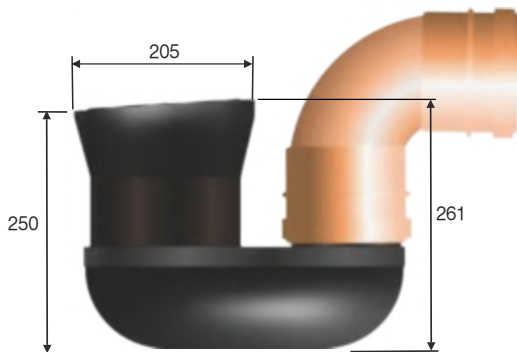
OVERFLOW & CALMED INLET

The new Genie is a unique multi purpose product which can be utilised as both a screened overflow or calming inlet for the base of the filter down pipe.

The Genie overflow has a series of 3 circular grills/ports which prevent vermin entry and allow sufficient flow through the overflow.

The Genie is also designed so that it can be used as a flow calming inlet which sits at the base of the tank attached to the vertical filter pipe. The filter pipe is cut to suit the tank or sump depth.

The calmed inlet can accommodate 110 and 160 mm pipe work.



Genie Calming Inlet has an Optional 160mm connection
Please ask for this option when ordering

Tel. 01274 510677

E-mail: info@orchardwatercare.co.uk

We **care** for your water