

AQUATRIO

IN TANK FILTRATION



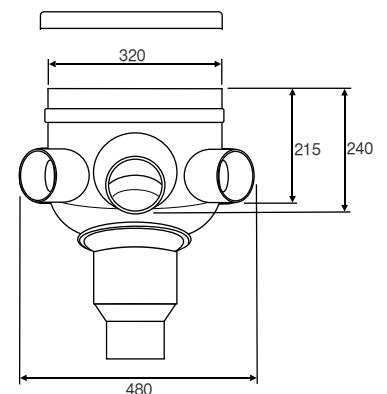
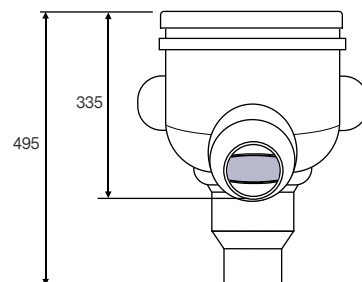
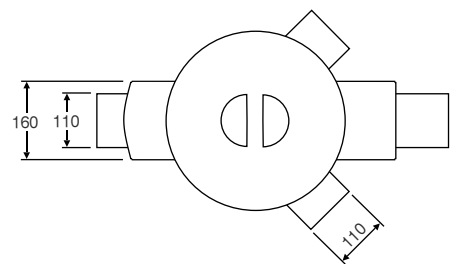
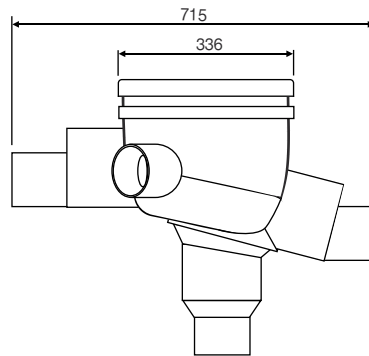
The Aquatrio is a new and unique rainwater filter which can be utilised inside or outside of a storage tank.

The Aquatrio featured has three 110mm inlets with an option of a 160mm main channel. It has a large 220mm circular 35 micron stainless steel filter located in the centre of the three inlets with a 15° fall to the flow, this facilitates the Aquatrio's self flushing process. The filter can be installed through a minimum 450mm circular opening and connected internally using standard 110mm or 160mm drainage fittings. The main stainless steel filter is simply removed from the housing via its extended handle that sits just below the lid.

The Aquatrio has been independently tested for flow efficiency and achieved an average 98% efficiency on flow rates up to 5 litres a second. The standard for Rainwater Harvesting BS EN 12056 - 3 states that a 90% efficiency or above is acceptable. The Aquatrio's proven performance makes it suitable for all domestic applications as well as industrial, commercial and agricultural applications requiring primary filtration for higher flows. Capable of draining roof areas up to 500 sq. Metres.

Technical Data

- Weight : 3 kilos
- Material: Hdpe & Stainless Steel
- Access Cover: Hdpe Lightweight
- Stainless mesh filter: 35 microns



Tel. 01274 510677

E-mail: info@orchardwatercare.co.uk

We **care** for your water